



P.O. Box 22326  
Lincoln, NE 68542

PF: 402/421-9464 | WEBSITE: [www.sitescapesonline.com](http://www.sitescapesonline.com)  
FX: 402/421-9479 | E-MAIL: [info@sitescapesonline.com](mailto:info@sitescapesonline.com)

INCH TOLERANCES U.O.S.

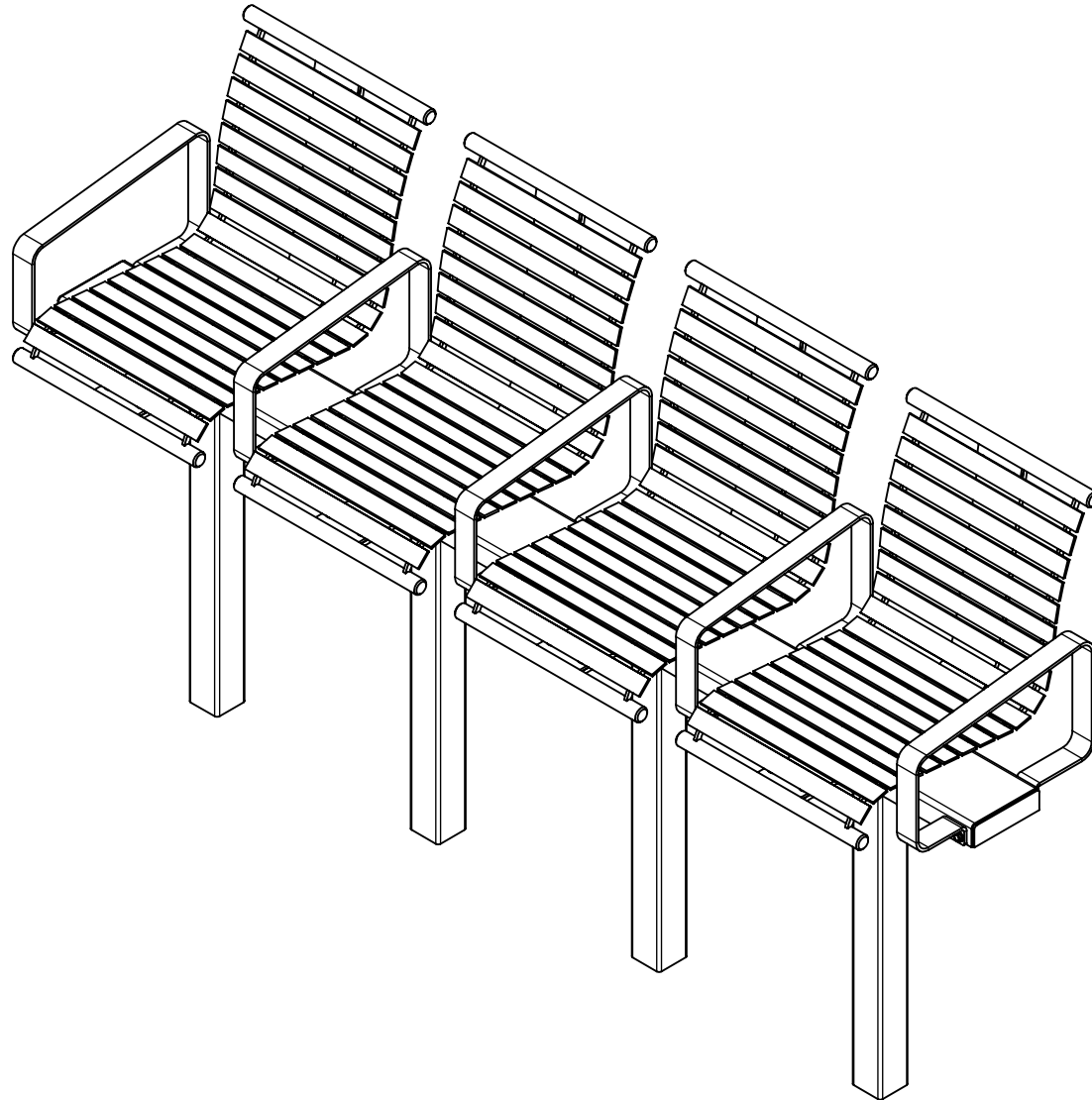
TITLE *CUSTOM MODULAR  
STRANSIT BENCH*

PRODUCT NO.  
*SR1-2035*

FRACTION-- $\pm 1/16"$   
ANG----- $\pm 1^\circ$

Property of SiteScapes, Inc 2014.  
All rights reserved.

\*Available in powder coat and DuraCoat finishes





P.O. Box 22326  
Lincoln, NE 68542

PF: 402/421-9464 | WEBSITE: [www.sitescapesonline.com](http://www.sitescapesonline.com)  
FX: 402/421-9479 | E-MAIL: [info@sitescapesonline.com](mailto:info@sitescapesonline.com)

INCH TOLERANCES U.O.S.

FRACTION-- $\pm 1/16$ "  
ANG----- $\pm 1^\circ$

Property of SiteScapes, Inc 2014.  
All rights reserved.

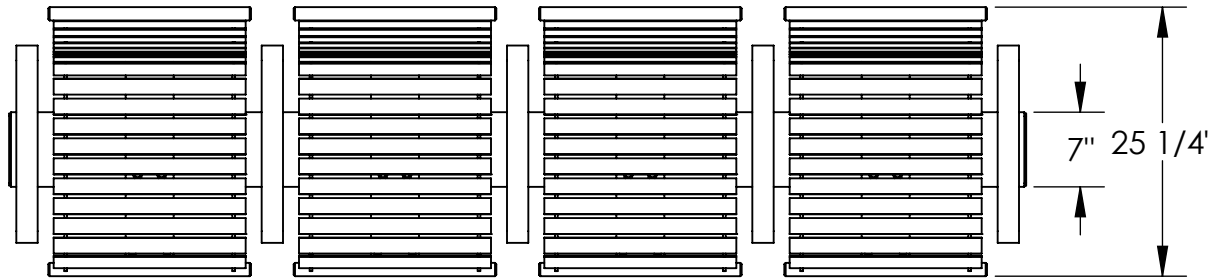
TITLE *CUSTOM MODULAR  
STRANSIT BENCH*

PRODUCT NO.  
*SR1-2035*

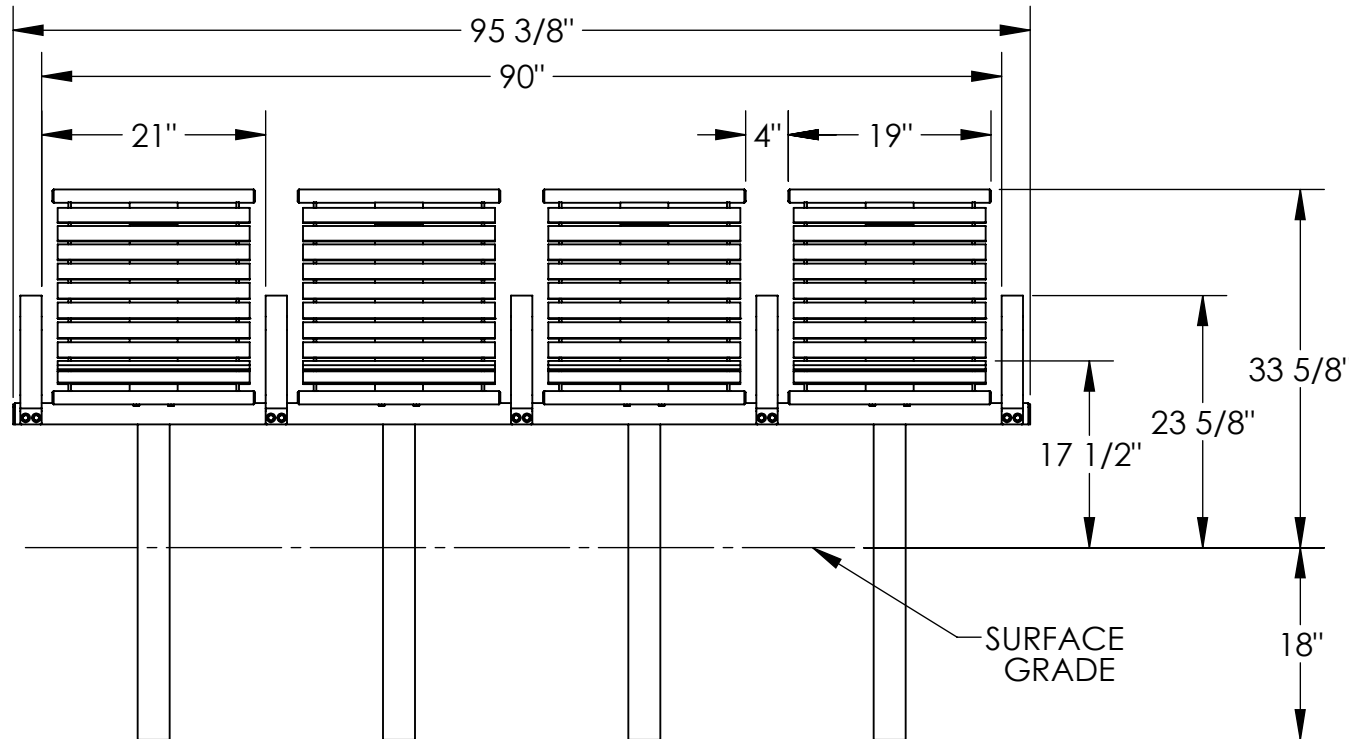
\*Available in powder coat and DuraCoat finishes

MATERIALS LIST:

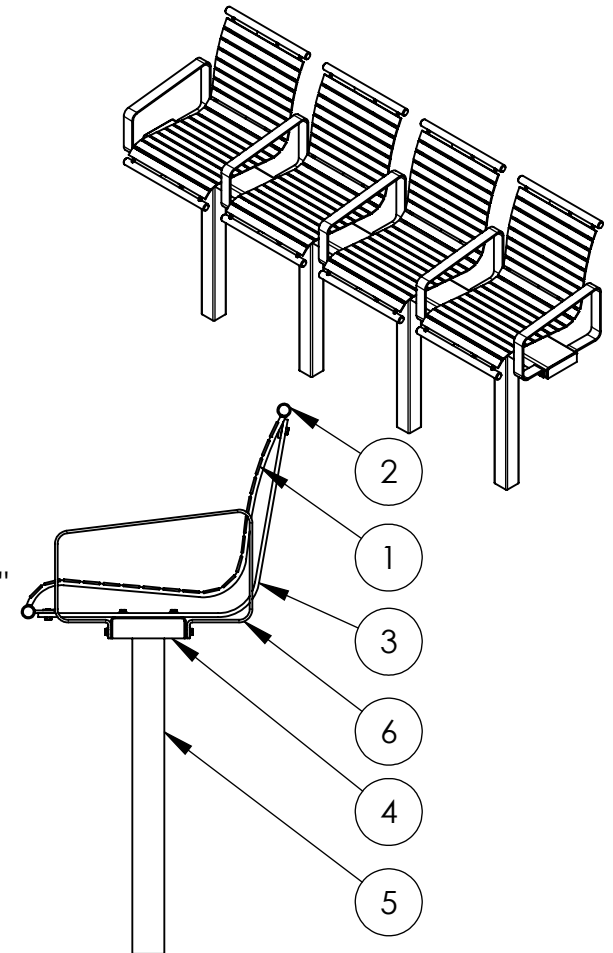
- (1) Seat Straps - 1/4" x 1 1/2" Steel Flat Bar
- (2) Support Pipes -  $\phi$  1.315" x .133" Steel Pipe
- (3) Support Strap - 3/8" x 4 1/2" Steel Plate
- (4) Support Channel - 7 Gauge Steel Plate
- (5) Support Tubes - 3" Sq. Steel Tubing
- (6) Armrest - 2" x 1/4" Steel Flat Bar



TOP VIEW



FRONT VIEW



RIGHT SIDE VIEW

